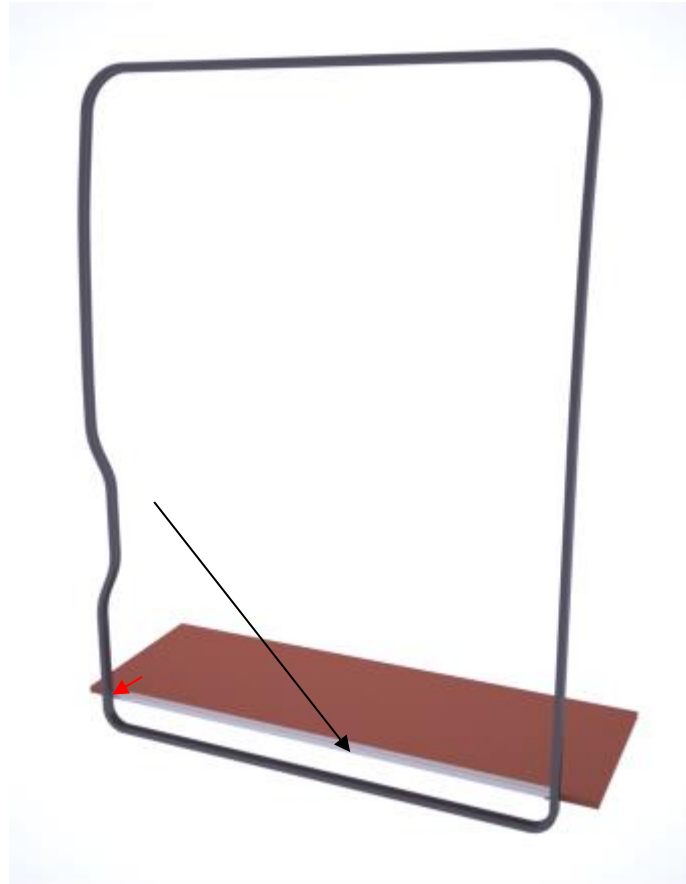


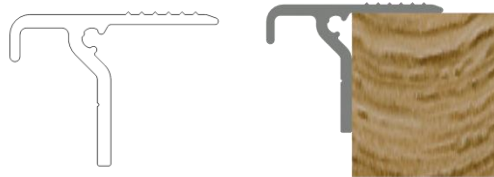
EZVFS Installation instructions

Assembly pack contains:

- 1) 4 pcs 3,5x16mm sunkhead screws to fix the bottom profile (Yellow)
- 2) 2 pcs 2,9x9mm sunkhead screws to fix the cassette (Blue)
- 3) 2 pcs 2,9x9mm sunkhead screws to fix the sliderclamp (Red)
- 4) 2 pcs 3,5x16mm panhead screws to fix the cassette to the interior (Purple)

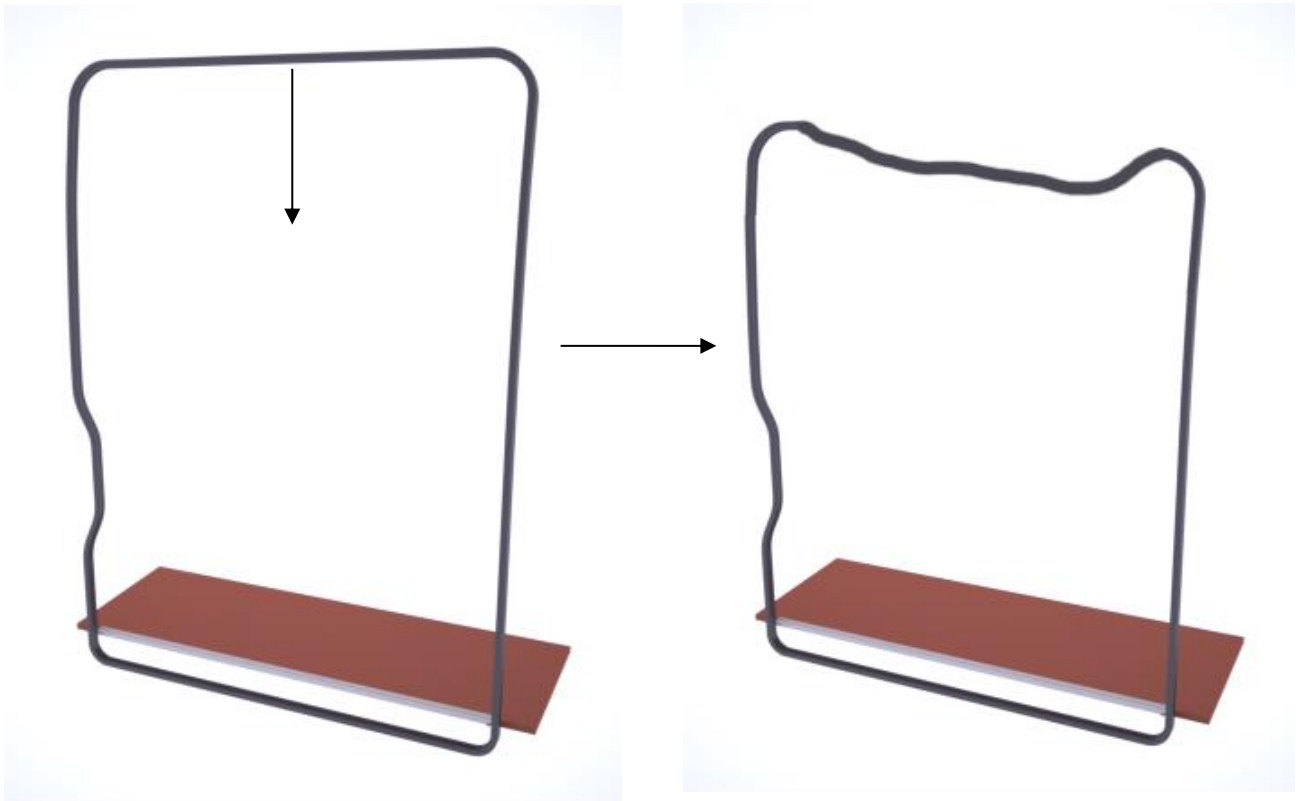


- 1) Install the bottom profile to the flooring with 4 pcs of 3.5x16mm sunkhead screws. The profile should be installed firmly against the floorboard. The floorboard should be solid wood on the positions of the screws, please check before fixing.

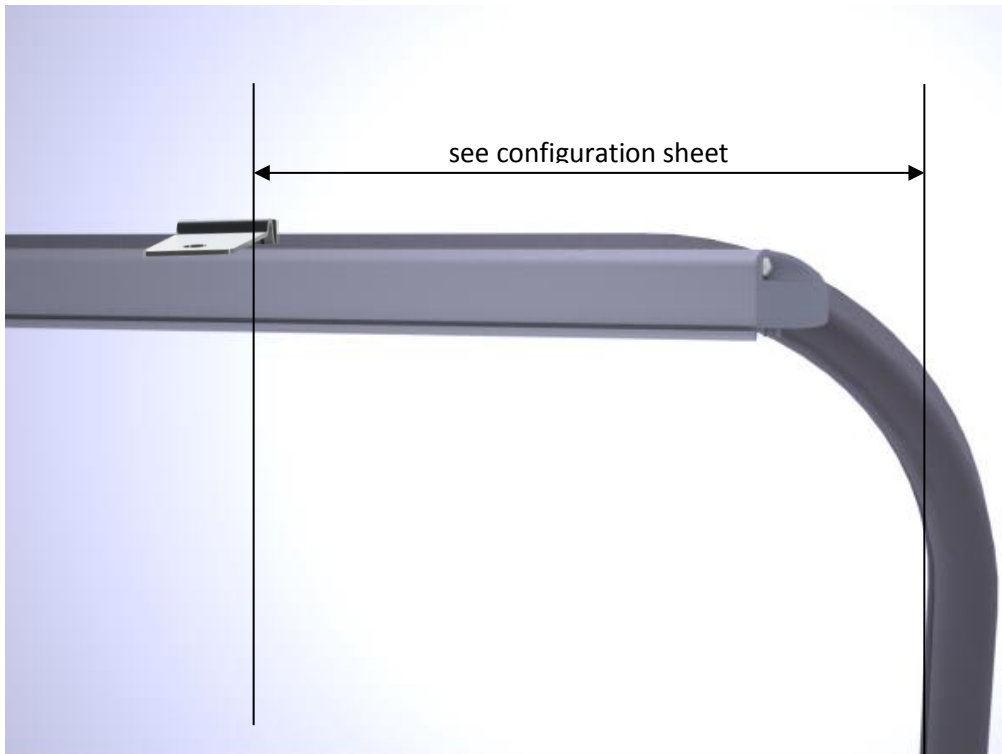


Bottom profile:

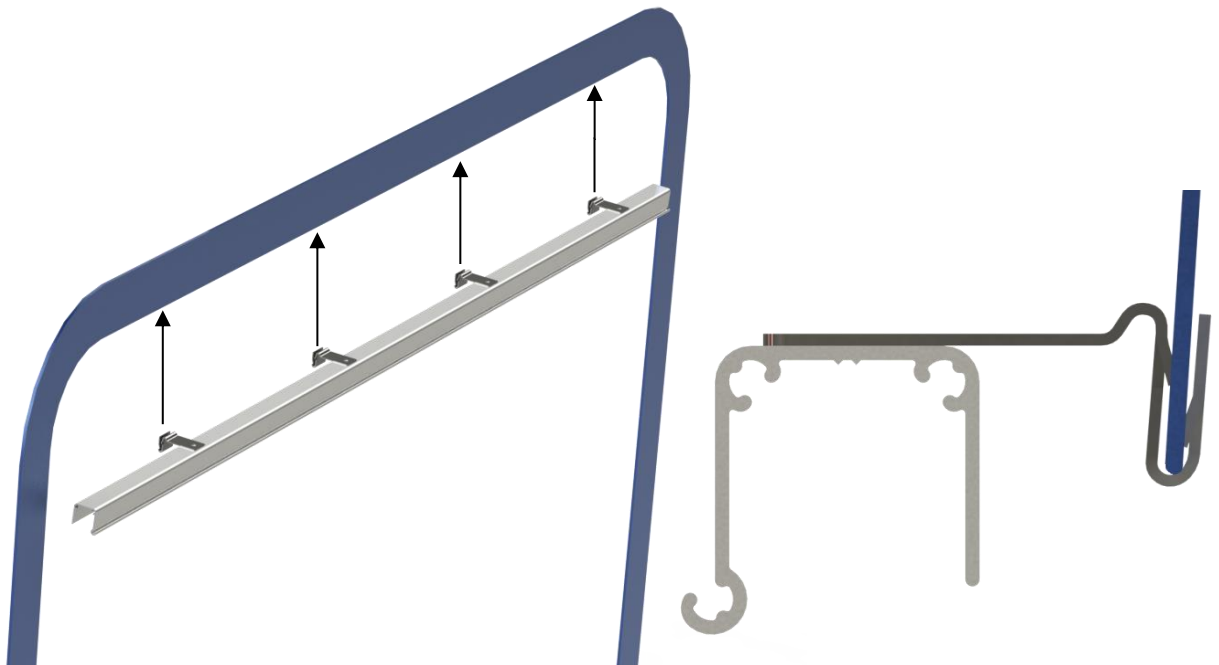
- 2) **IMPORTANT:** Make sure to slide the profile against the rubber to the rear of the door before fixing. This is important for the overall alignment. See the red arrow for contact point.



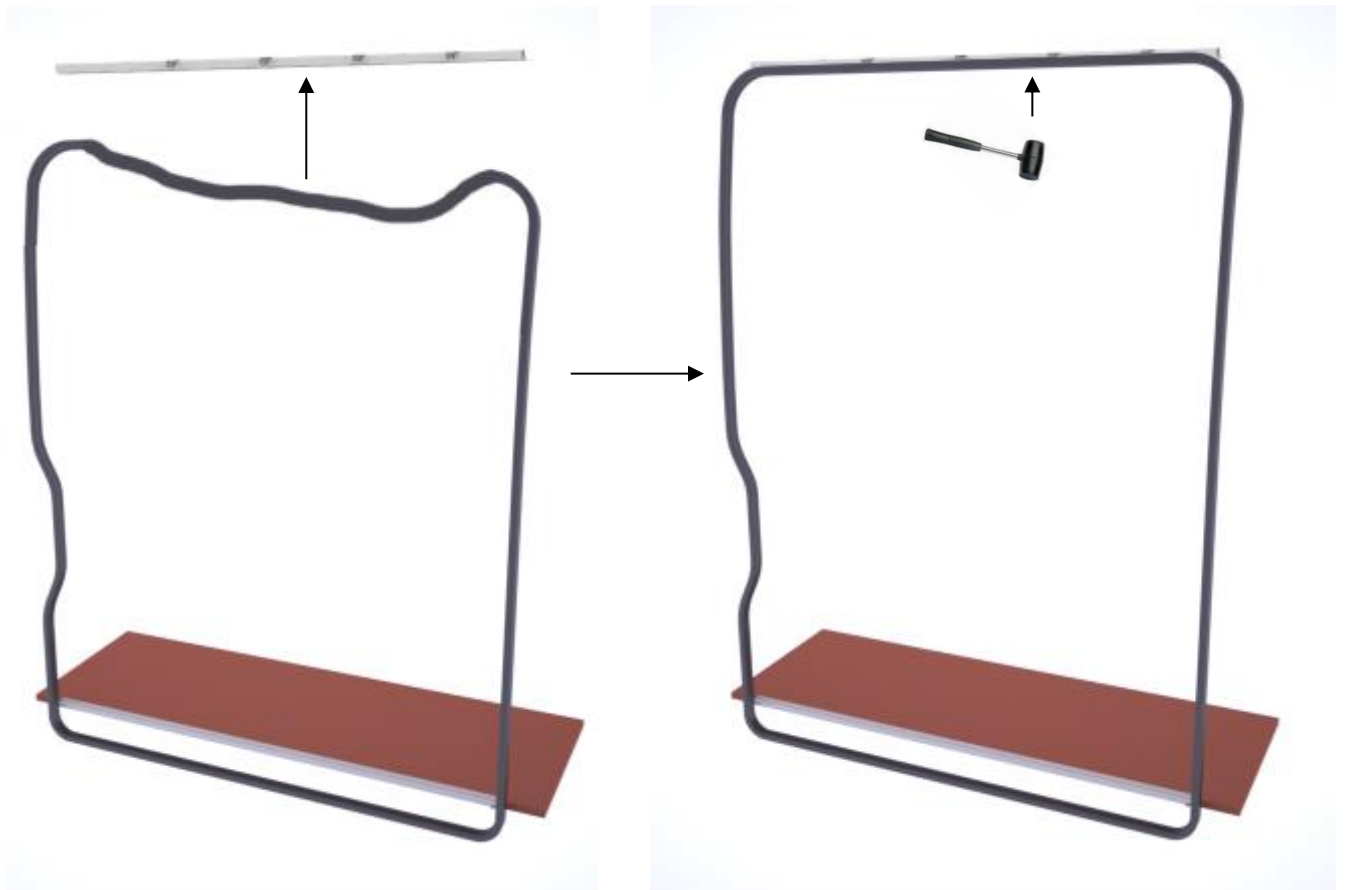
3) Remove upper part of the door rubber from the body of the van.



- 4) a. Make sure to mount the mounting clip according to the configuration sheet



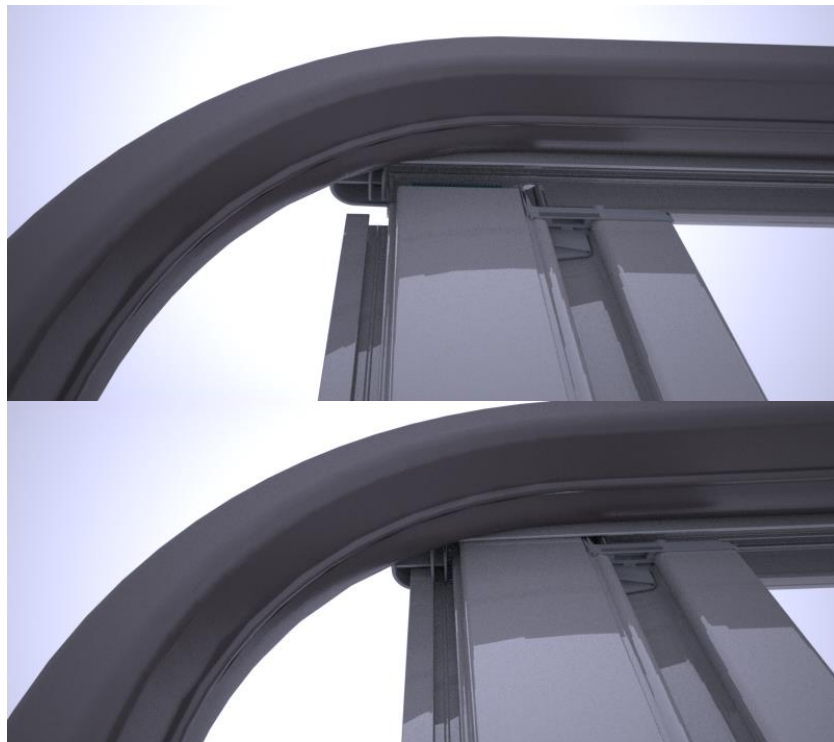
- b. Put the metal clips on the metal edge on the body of the van.
Insure that the clips are fully seated!



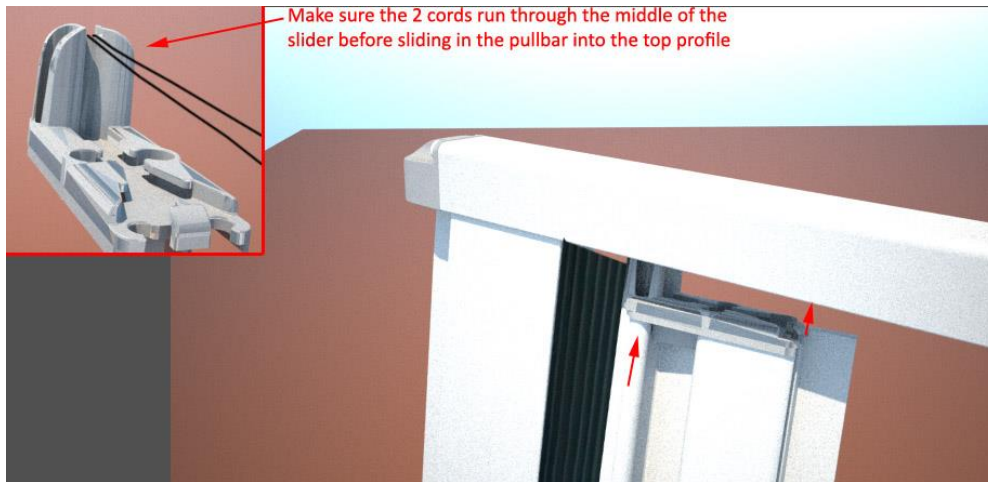
- 5) a. Put the door rubber back in place over the clips.
b. Reseat the door rubber with a soft rubber mallet.



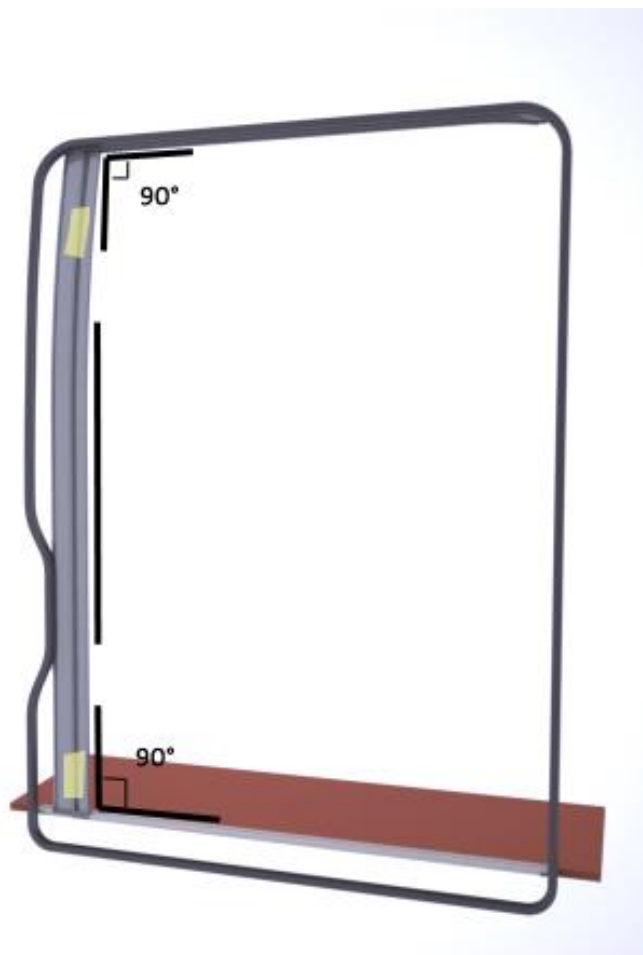
- 6) Take the cassette and pullbar assembly and make sure to leave on the packaging tape to hold the assembly together during installation.



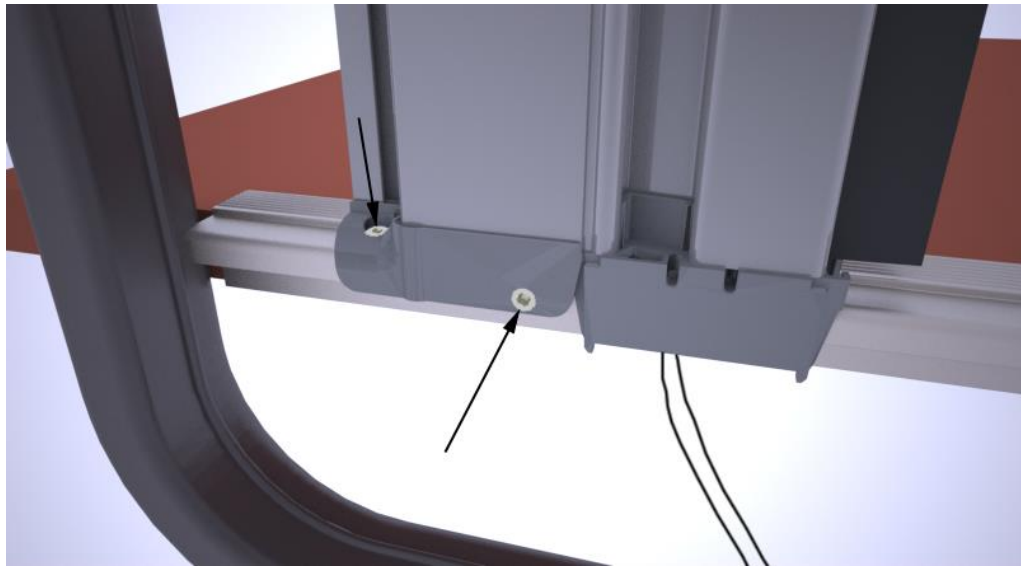
- 7) Slide the topside of the cassette and pullbar assembly into the slot of the top profile. The cassette and pullbar should be pushed into the topside fully, see lower image.



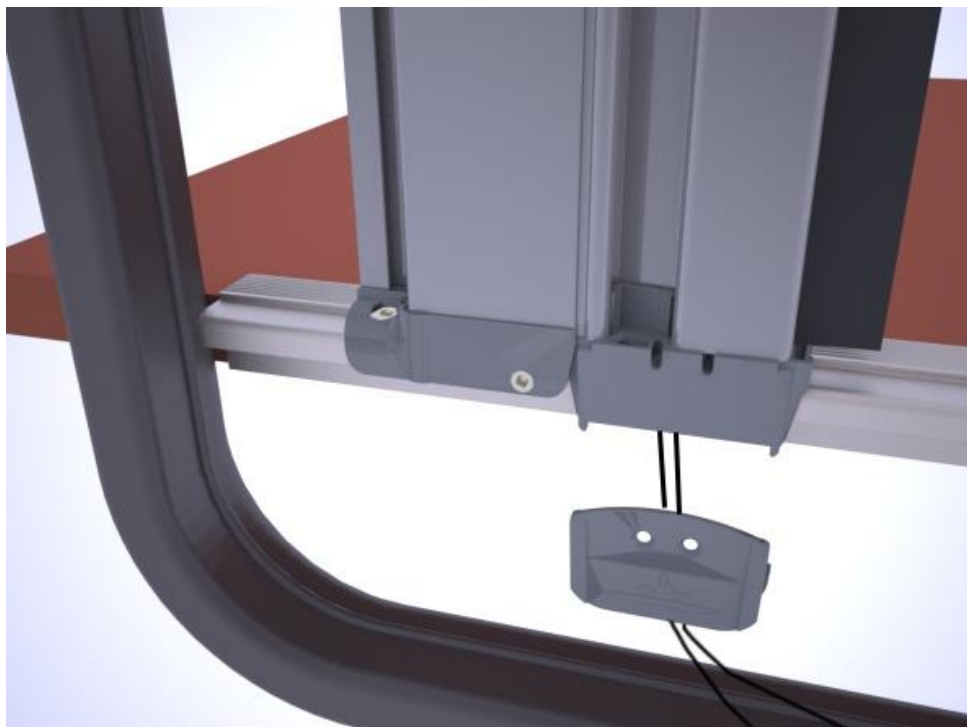
8) Check cordpath of the top slider!



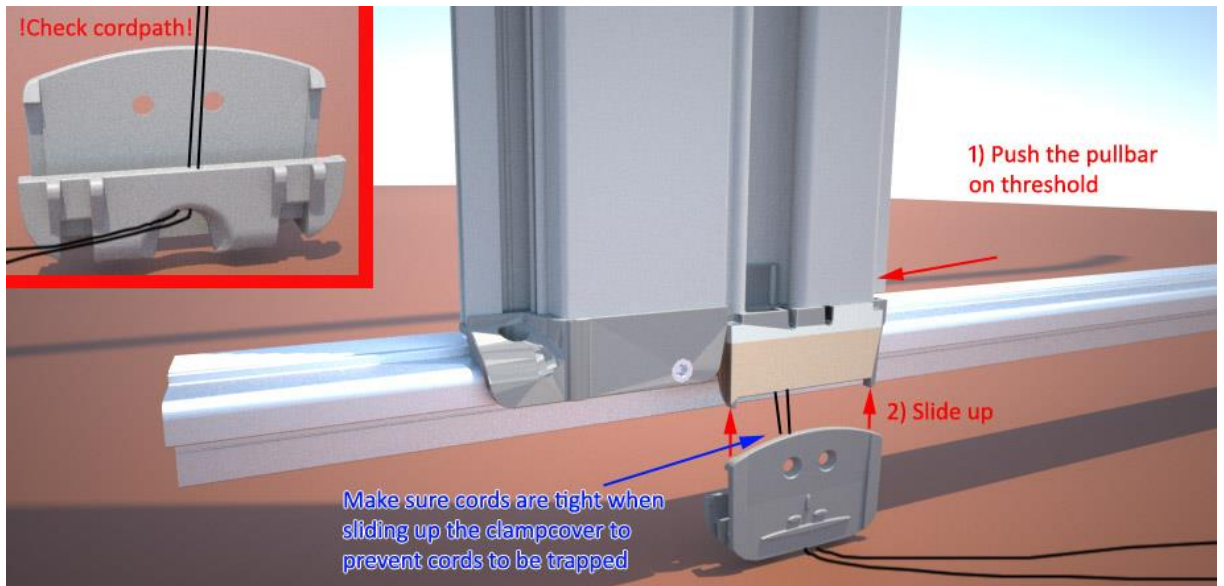
9) Position the bottom side of the cassette and pullbar assembly on the lower profile. It should be easily positioned and excessive force should not be needed. Make sure to leave on the packing tape.
IMPORTANT: Please make sure the cassette and pullbar assembly is vertical.



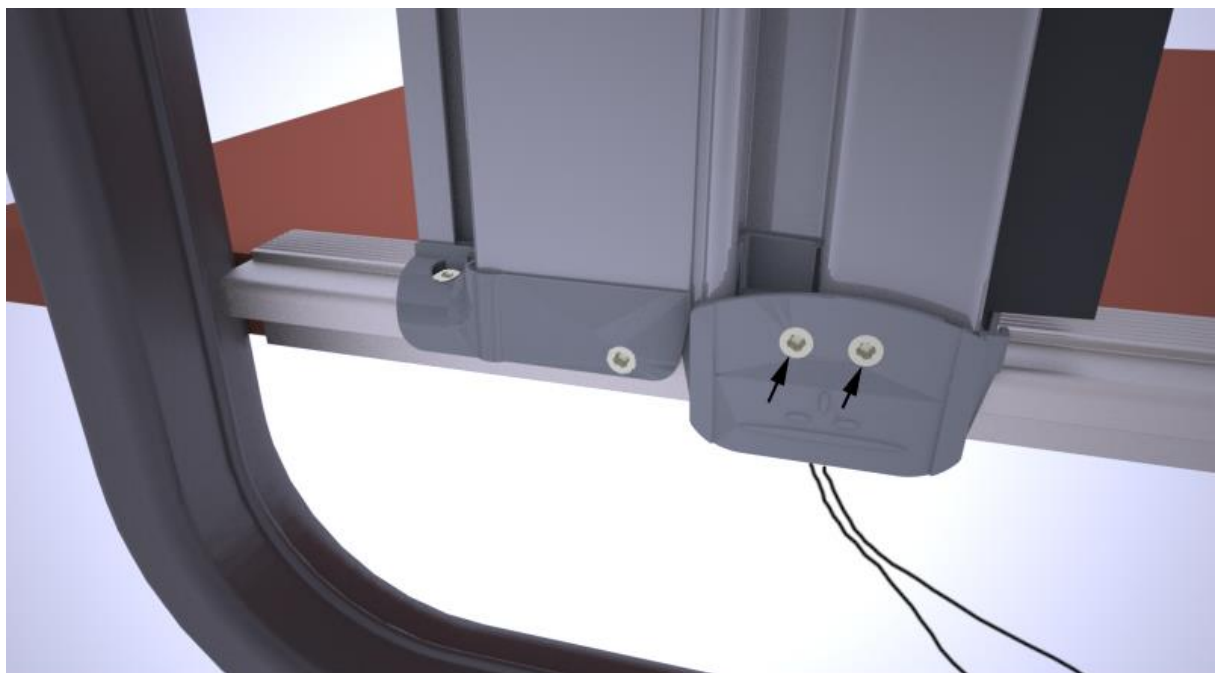
- 10) Use the 2 pcs of 2,9x9mm sunkhead screws to fix the cassette to the bottom profile.
The screwchannels for the 2 pcs of screws are predrilled in the threshold so make sure they align with the injection molded parts.
Care should be taken in case power tools are used to install the smaller screws, this will prevent damage to the screwchannels.



- 11) Slide up and click the sliderclamp to the pullbar slider.



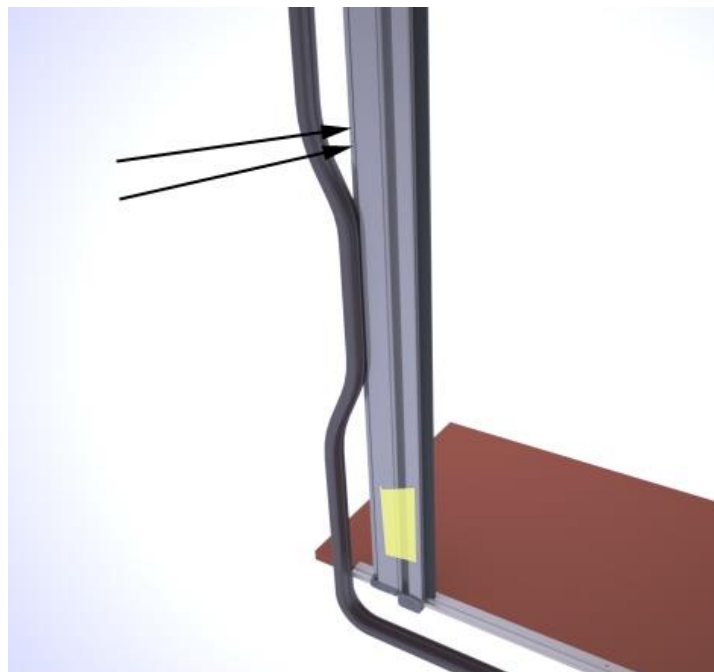
12) Check cordpath of the sliderclamp!



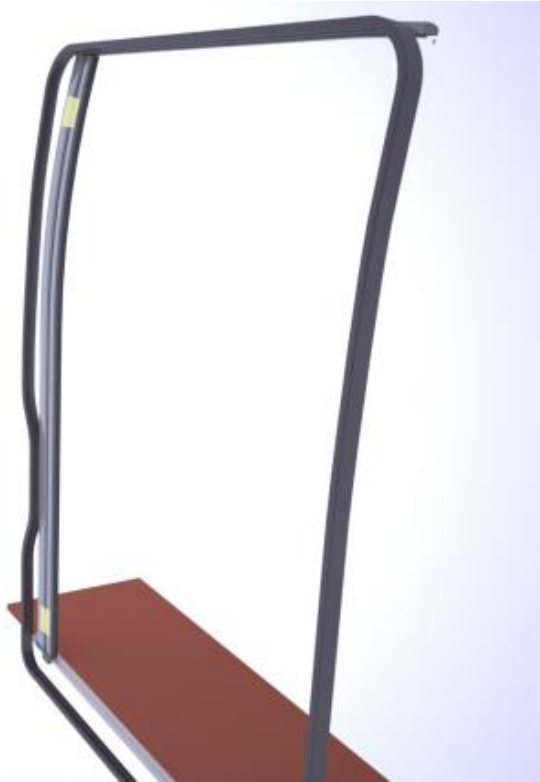
13) Fix the sliderclamp to the slider with 2 pcs of 2,9x9mm sunkhead screws.
Care should be taken in case power tools are used to install the smaller screws, this will prevent damage to the screwchannels.



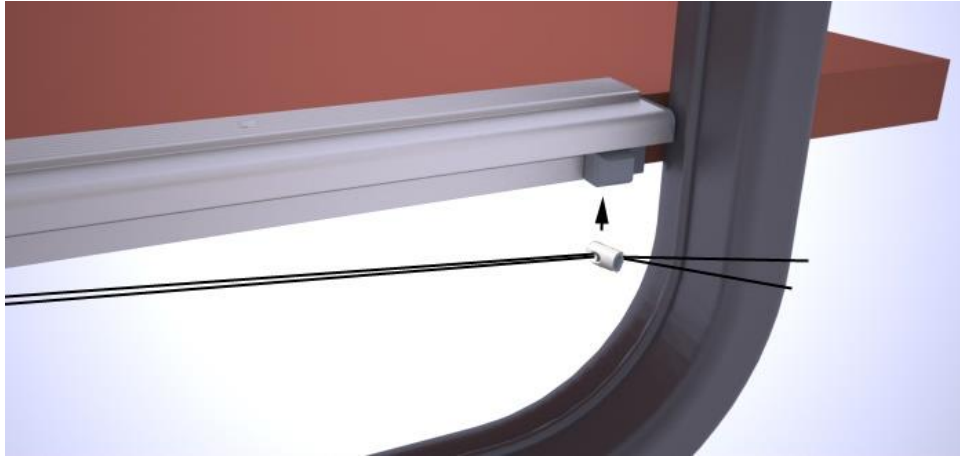
14) After installing the pullbar and cassette assembly, please check the clearance between the pullbar and top profile. The clearance should be within 2-5mm.



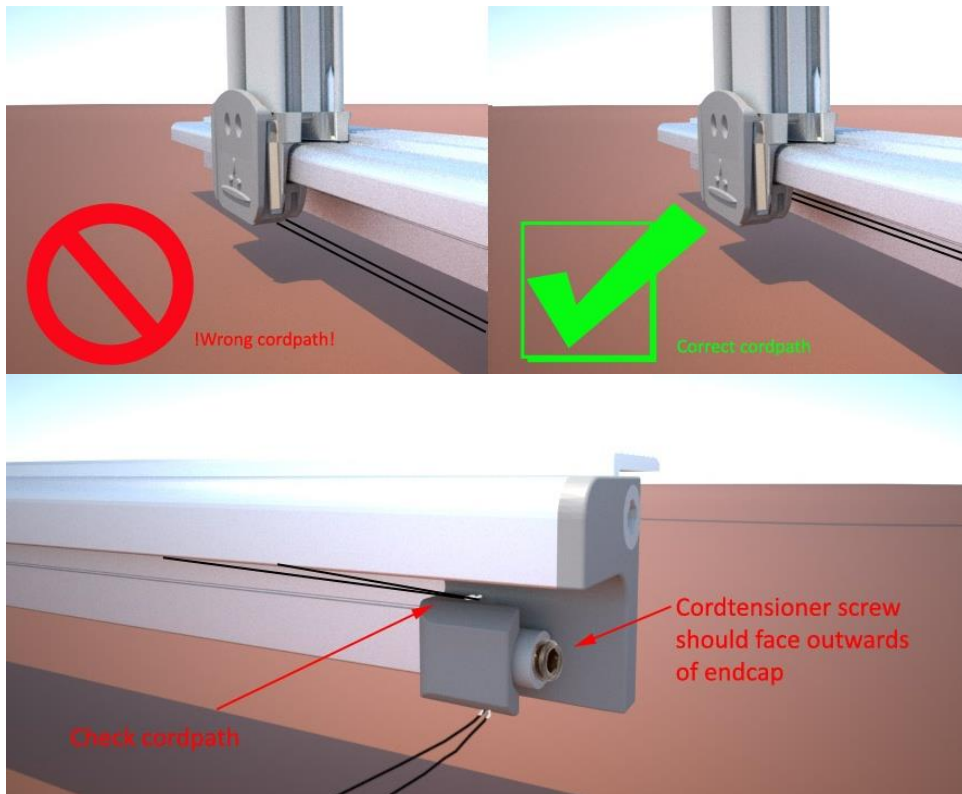
15) Fix the cassette to the interior or object connected to the vehicle body using the 2 pcs 16x3,5mm panhead screws.



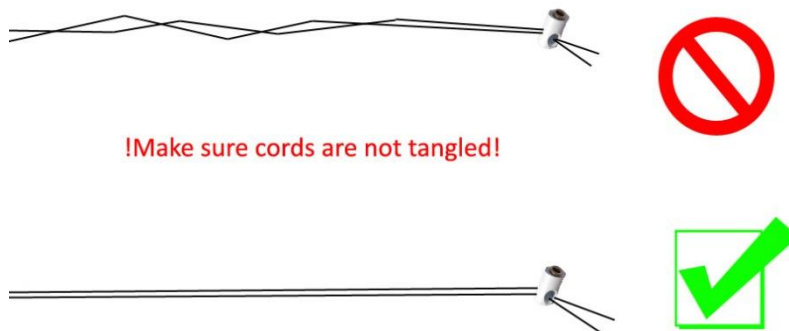
16) Make sure the cassette and pullbar assembly is not deformed in any way after all screws have been fixed.

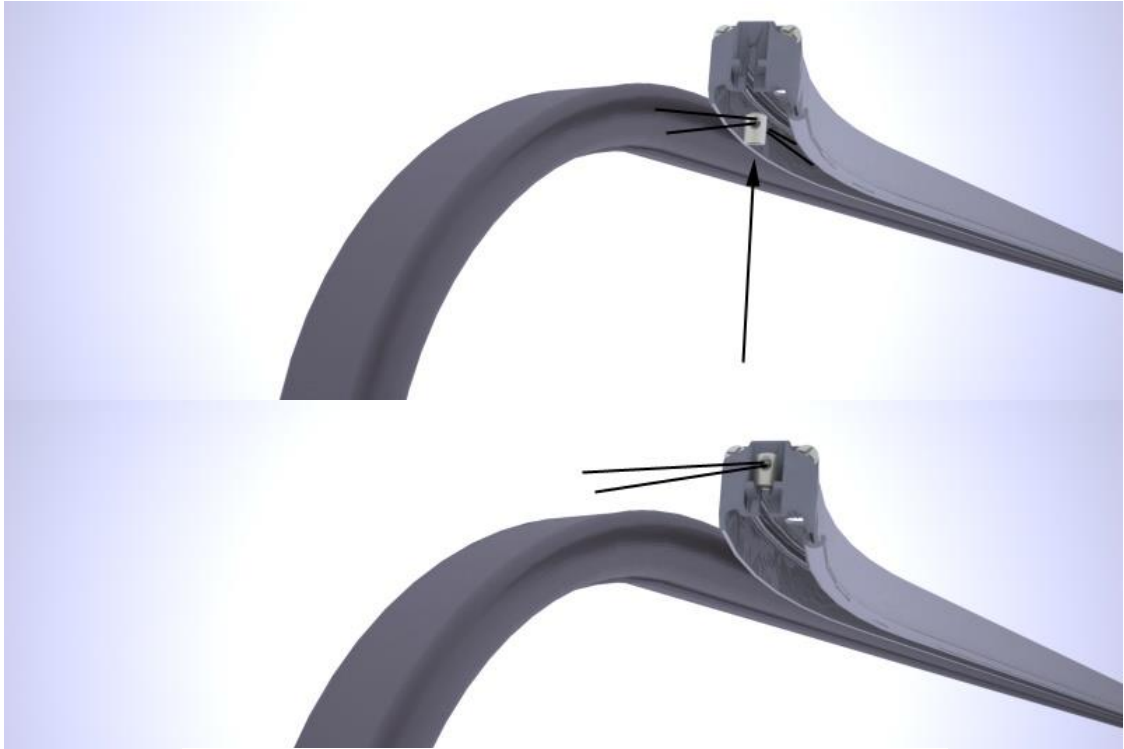


- 17) Take the slack out of the cord and fix the cordtensioner to the cord. Then insert the cordtensioner into the endcap



- 18) Check cordpath of the sliderclamp and cordtensioner.

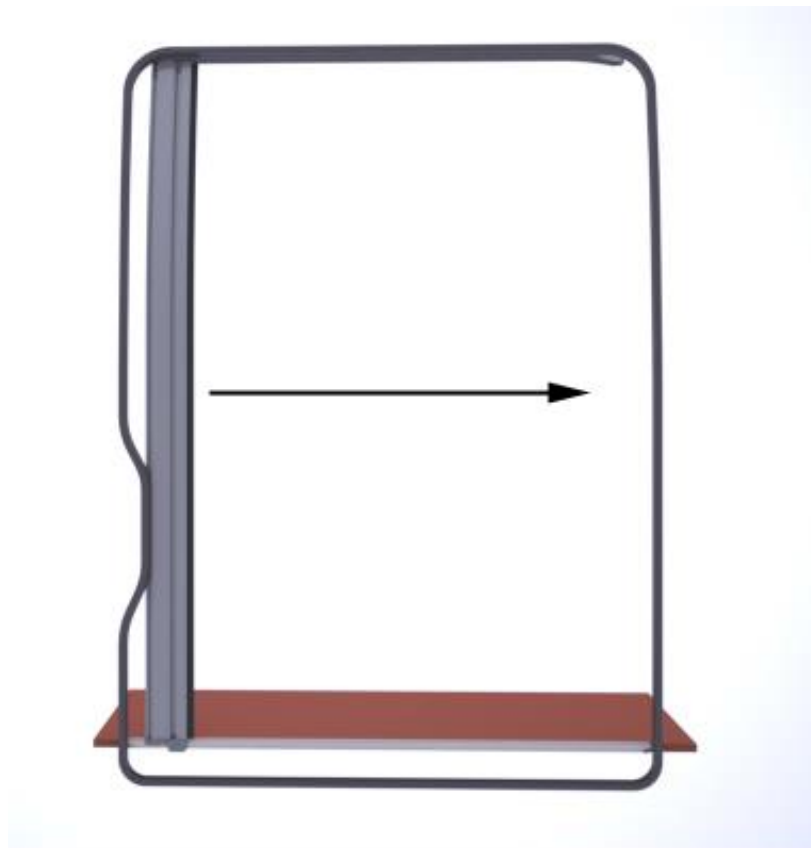




!Make sure cords are not tangled!



- 19) Make sure to take out the slack from the cord while fixing the cordtensioner to the cord. Position the topside cordtensioner into the top profile endcap.



20) Remove the packing tape and test the functioning.
Please use PTFE Spray to ensure the track is lubricated.

21)

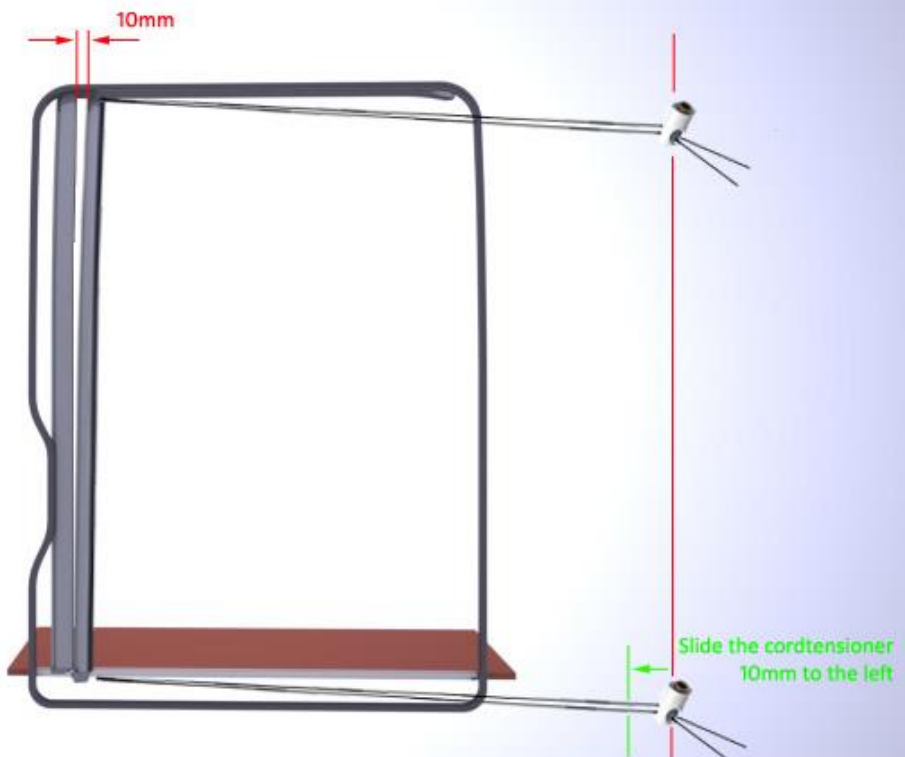
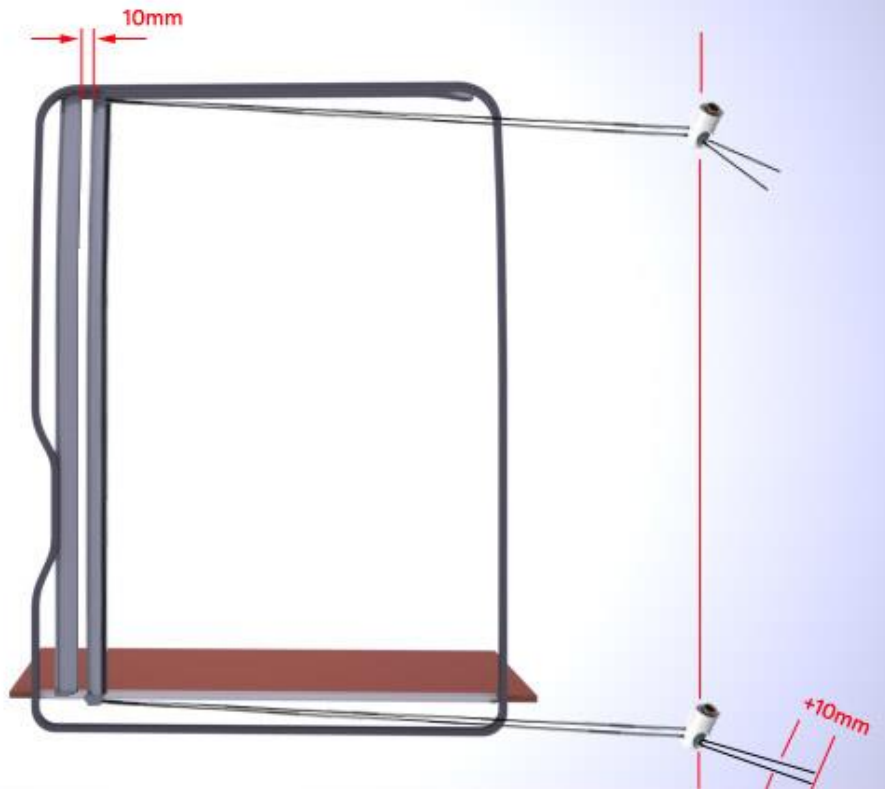
When sliding the pullbar to the frontside of the doorrubber, please check the clearance between the pullbar and top profile. The clearance should be within 2-5mm.



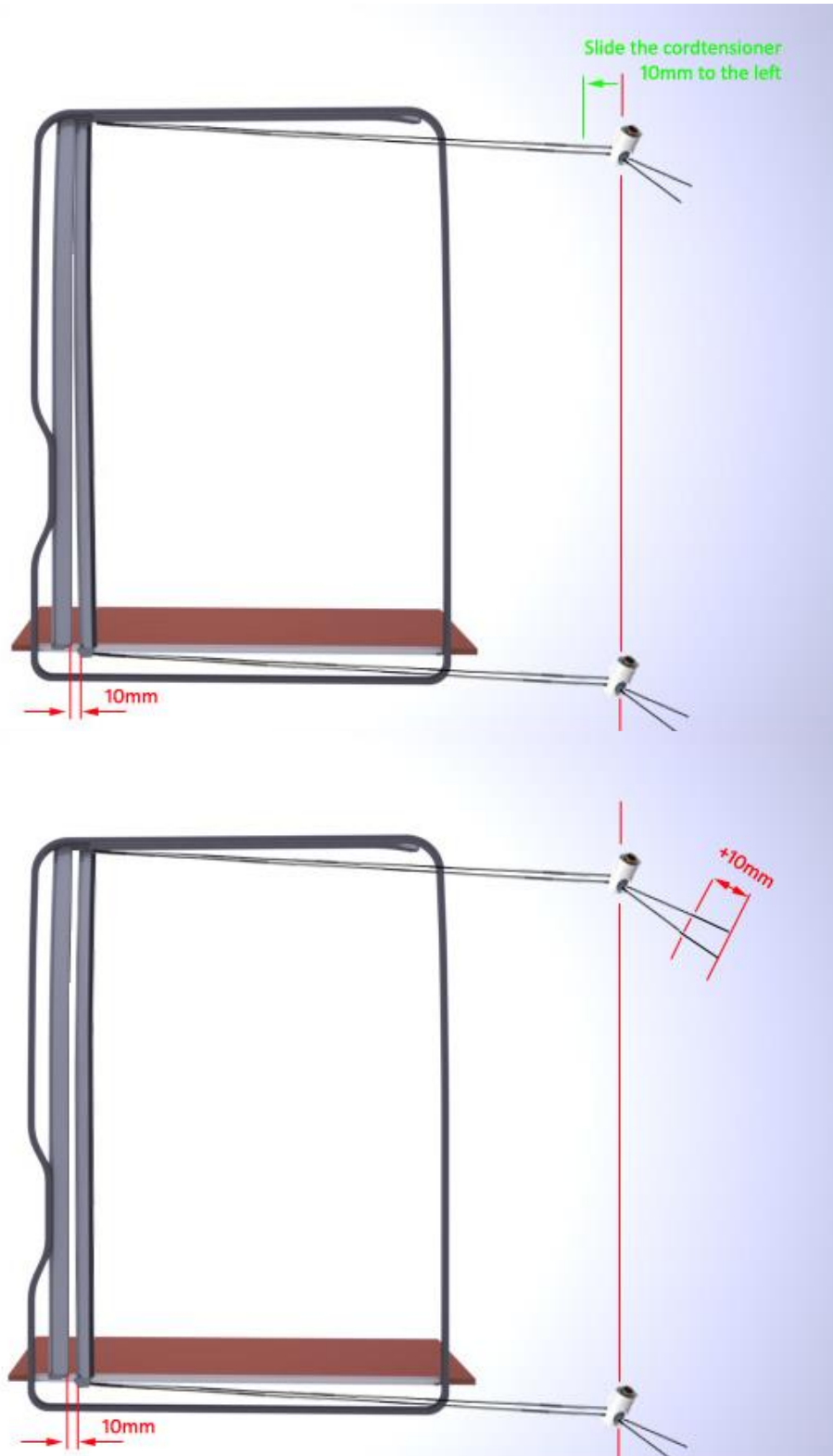
22) Setting the final tension requires analyses of the pullbar angle firstly

- 1) In case the pullbar is perfectly vertical and aligned with the cassette, go to step 23
- 2) In case the pullbar is angled forwards or backwards, check the following 4 pictures to correct the angle of the pullbar.

In case of a forward angled pullbar:

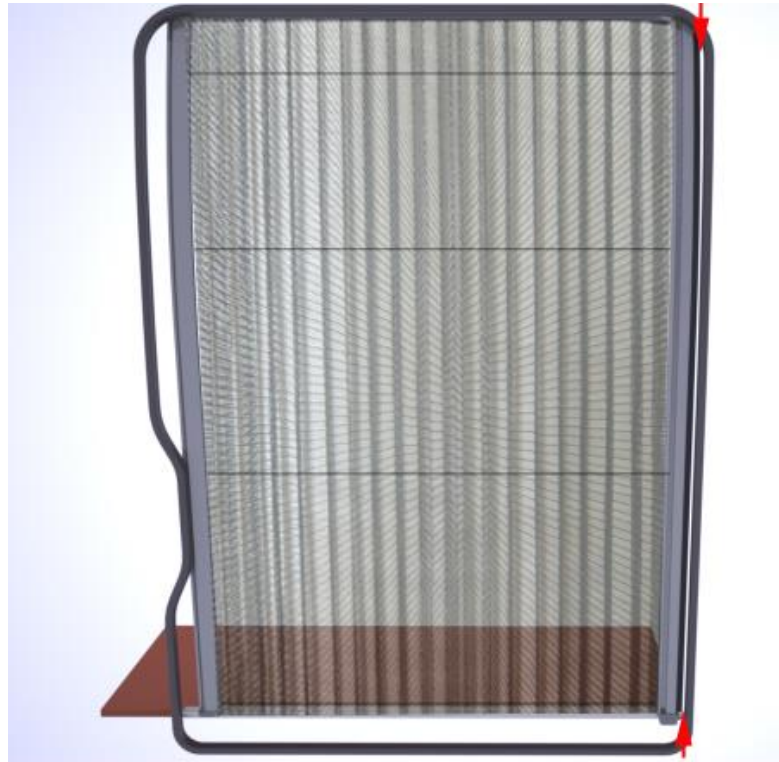


In case of a backwards angled pullbar:



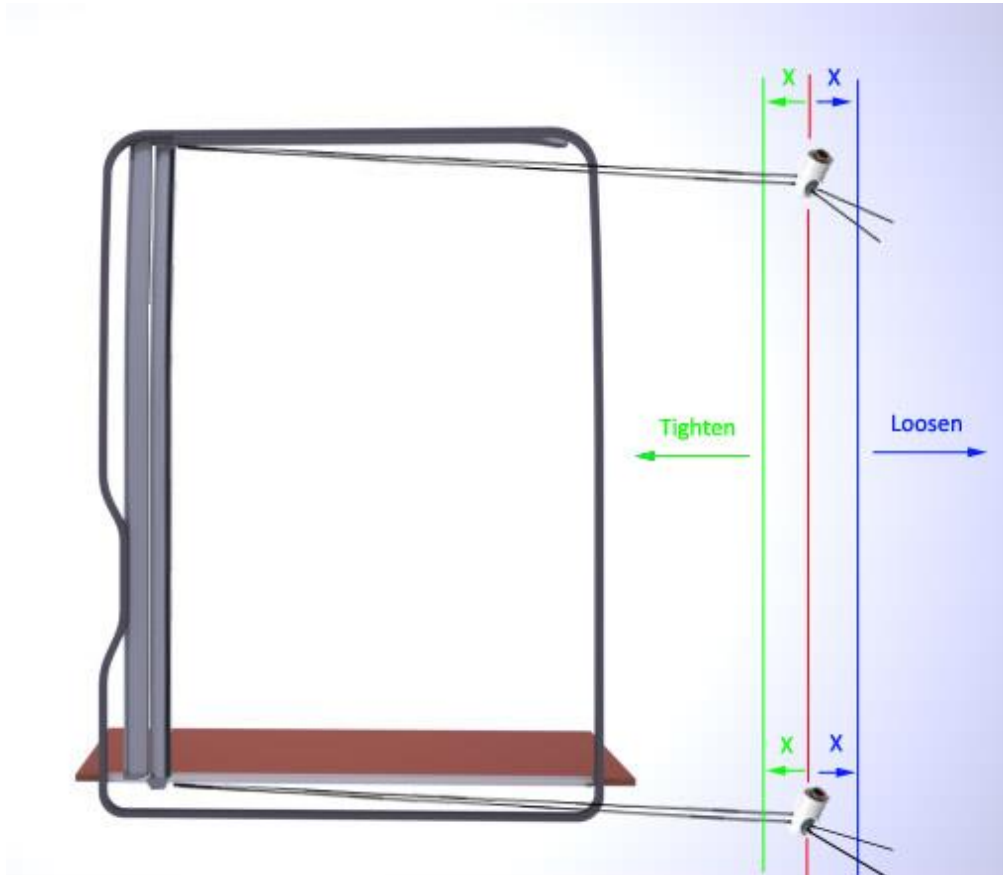
After adjustment please check cordpath and cordtensioner placement are matching according to steps 18&19

23) Check if the pullbar is aligned with the doorrubber when sliding the pullbar to the front of the vehicle to enable a good sealing effect.



In case the pullbar is not aligned properly please repeat step 22.

24) Setting the tension to make sure of an acceptable movement resistance of the pullbar.



Move the cordensioners left over the cord to increase the resistance or move them to the right over the cords to decrease resistance. Important is that the translation of the cordensioner (Indicated as X in the image above) is kept the same for the upper and lower cordensioner to ensure the pullbar stays vertically aligned.

It is advised to adjust in small steps or around 1-2mm per adjustment.

After adjustment please check cordpath and cordensioner placement are matching according to steps 16&17

In case the movement is still not acceptable, repeat step 24.

END OF GUIDE

Troubleshooting

In case the product is not functioning correctly:

- Something went wrong during installation steps until step 21, please check prior steps.
- The pullbar is not perpendicular, repeat step 22.
- Pullbar movement is not acceptable (to tight or to loose) , repeat step 24.
- The products has wrong dimensions, please contact Horrex.